

Parts Book

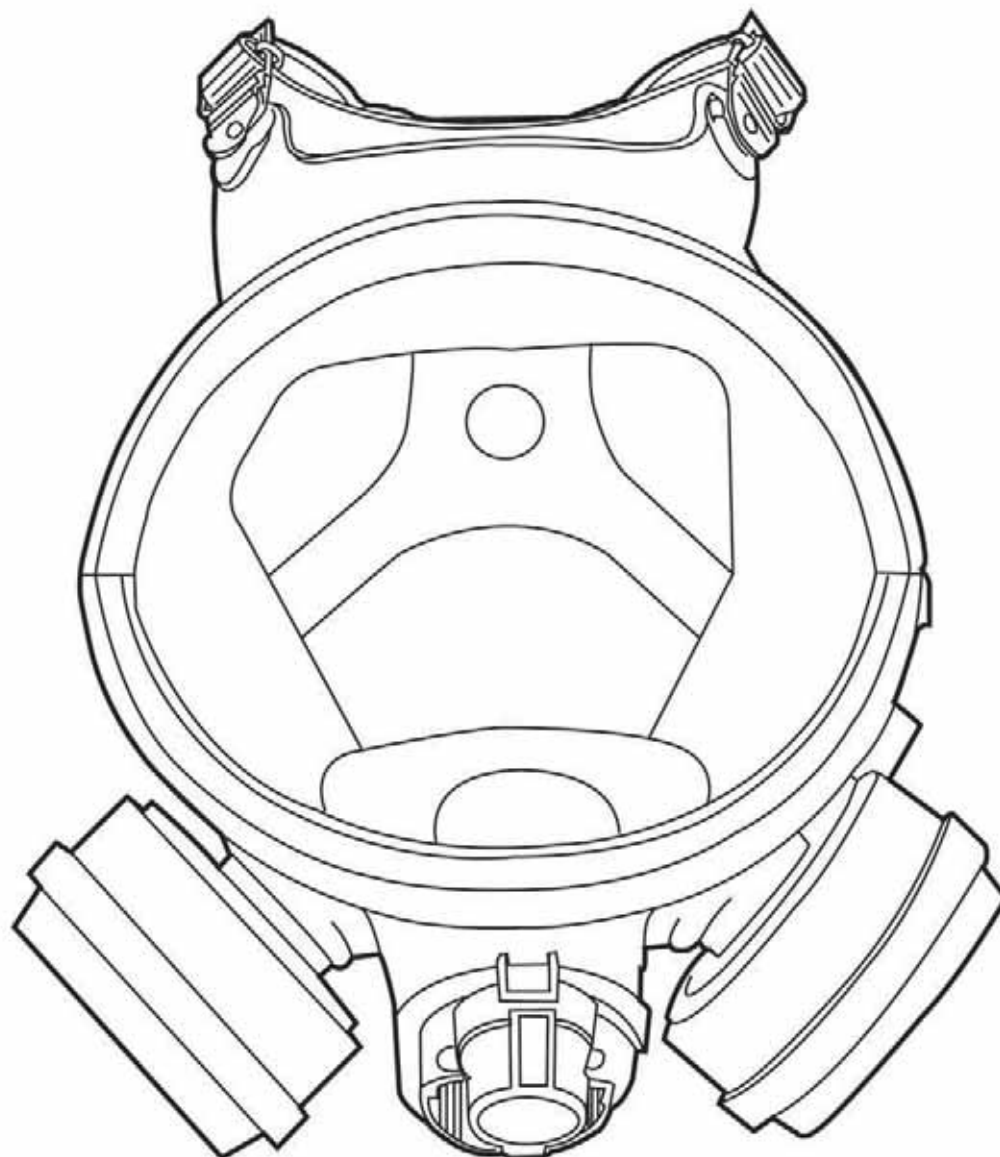
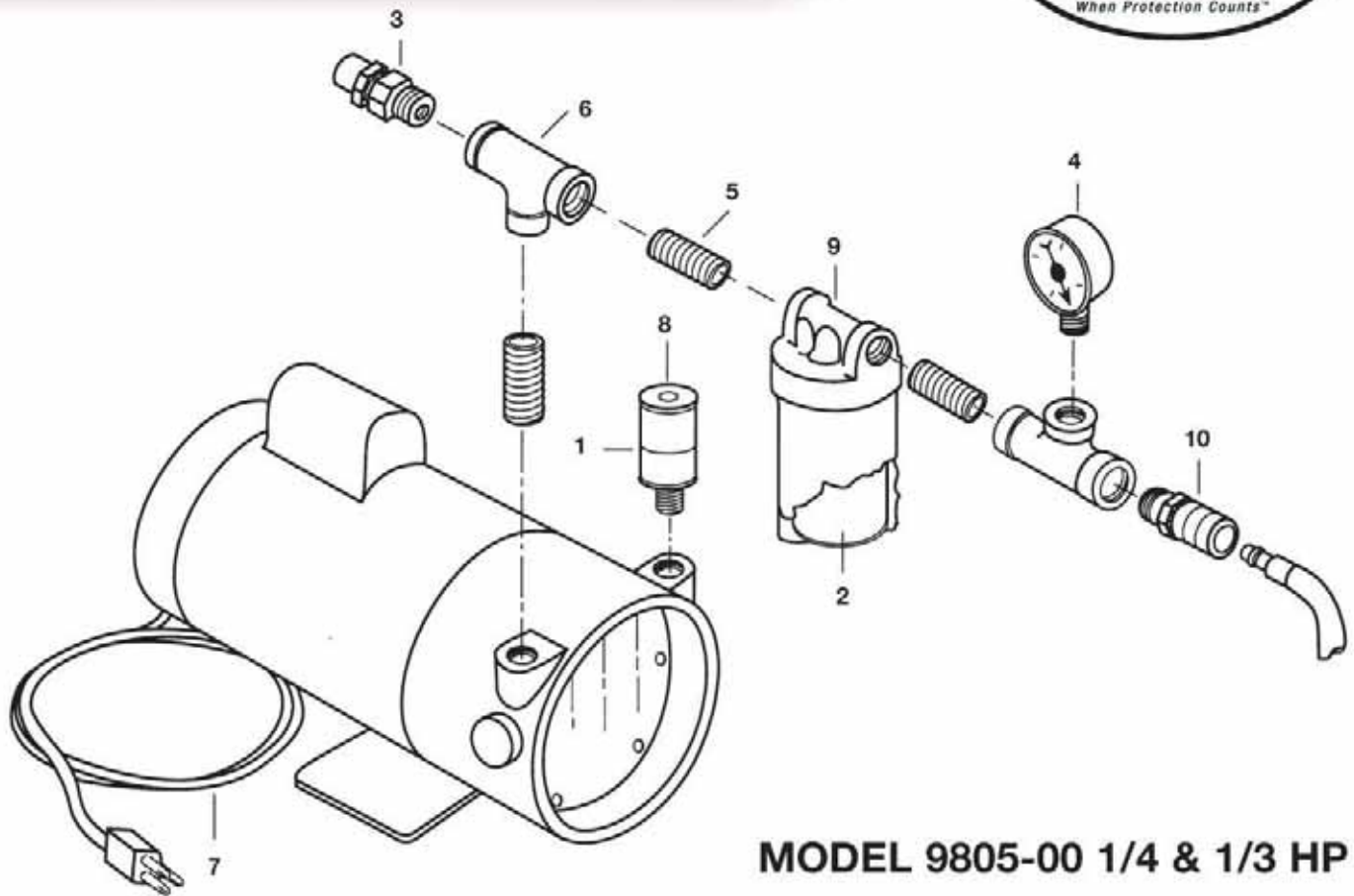




Table of Contents

Oil-less Air Pumps	03 - 06
Inlet Hose Kits & Extension	07 - 08
Pure-Air 2000.	09
Supplied-Air Halfmasks.	10 - 11
Supplied-Air FullFace	12 - 14
Supplied-Air Hood	15
Cartridge Type Halfmasks	16 - 17
Cartridge Type FullFace	18 - 20
Eye, Face & Drench Showers	21 - 25
Portable Eyewash Station.	26

Oil-Less Air Pumps



MODEL 9805-00 1/4 & 1/3 HP

Motor - Open Type (Not Explosive Proof) 115 V, Single Phase, 60HZ

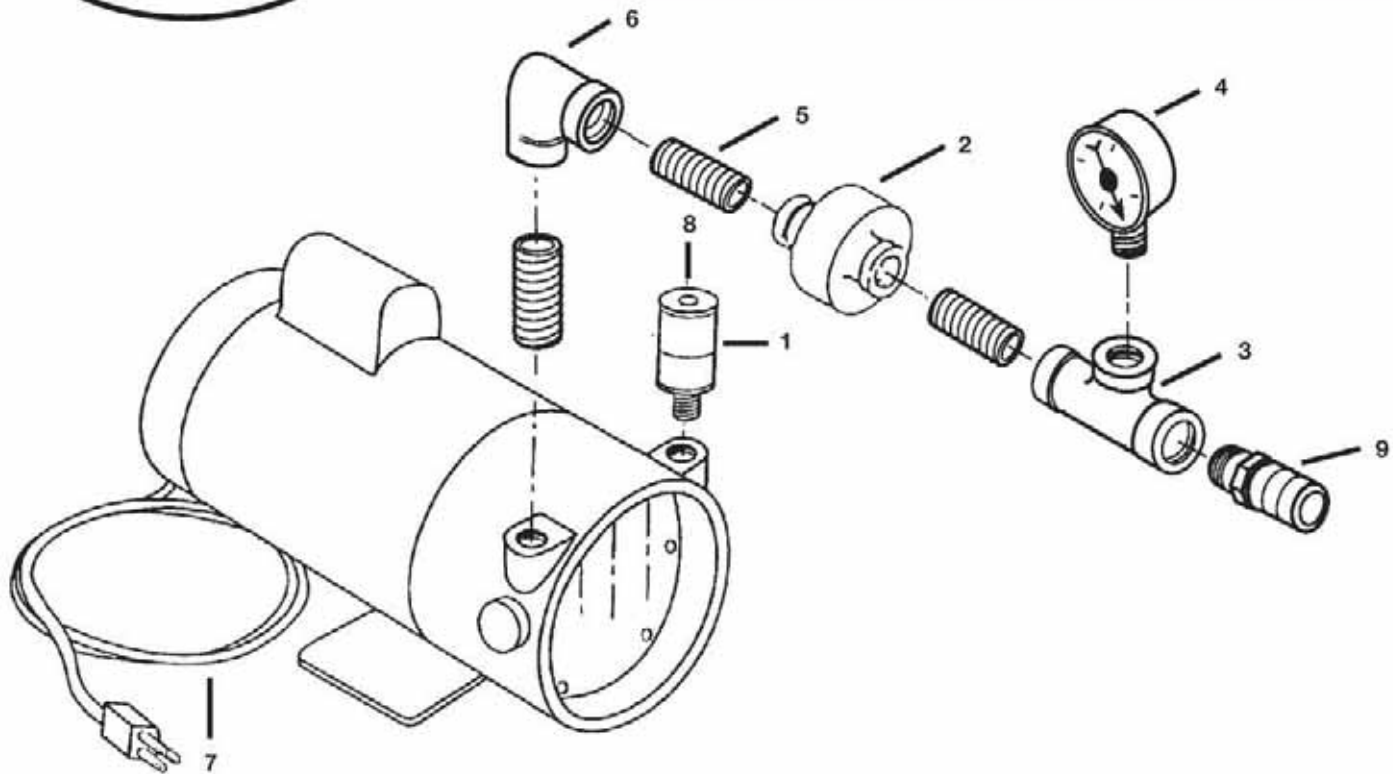
ITEM	PART#	DESCRIPTION
1	9700-14	Intake Filter Element
2	9700-02	Exhaust Filter Element
3	9700-19	Pressure Relief Valve
4	9700-04	Pressure Gauge
5	0200-002	1/4" Hex Nipple
6	0200-021	1/4" Brass Tee
7	9700-07	Electric Cord, w/ Ground Plug
8	9700-21	Intake Filter Assembly
9	9700-22	Exhaust Filter Assembly
10	9700-10	1/4" NPT Male Coupler
	9700-11	Pump Cleaning Solution (Not Shown)
	9700-25	Inlet Hose Kit - 25 Ft. (Not Shown)
	9700-30	Inlet Hose Extender - 25 Ft. (Not Shown)
	9700-40	Service Kit - Vanes, Filters & Pump Cleaning Solution (Not Shown)

WARNING:

Exhaust filter DOES NOT REMOVE dangerous organic vapors or gases. DO NOT USE this equipment if organic vapors or gases are present. If this air pump is to be used as a breathing air source, the air inlet MUST be located in a CLEAN AIR area, where breathable air can be assured at all times.



Oil-Less Air Pumps



BASIC MODEL

9806-00 1/4 & 1/3 HP

Motor - Open Type (Not Explosive Proof) 115 V, Single Phase, 60HZ

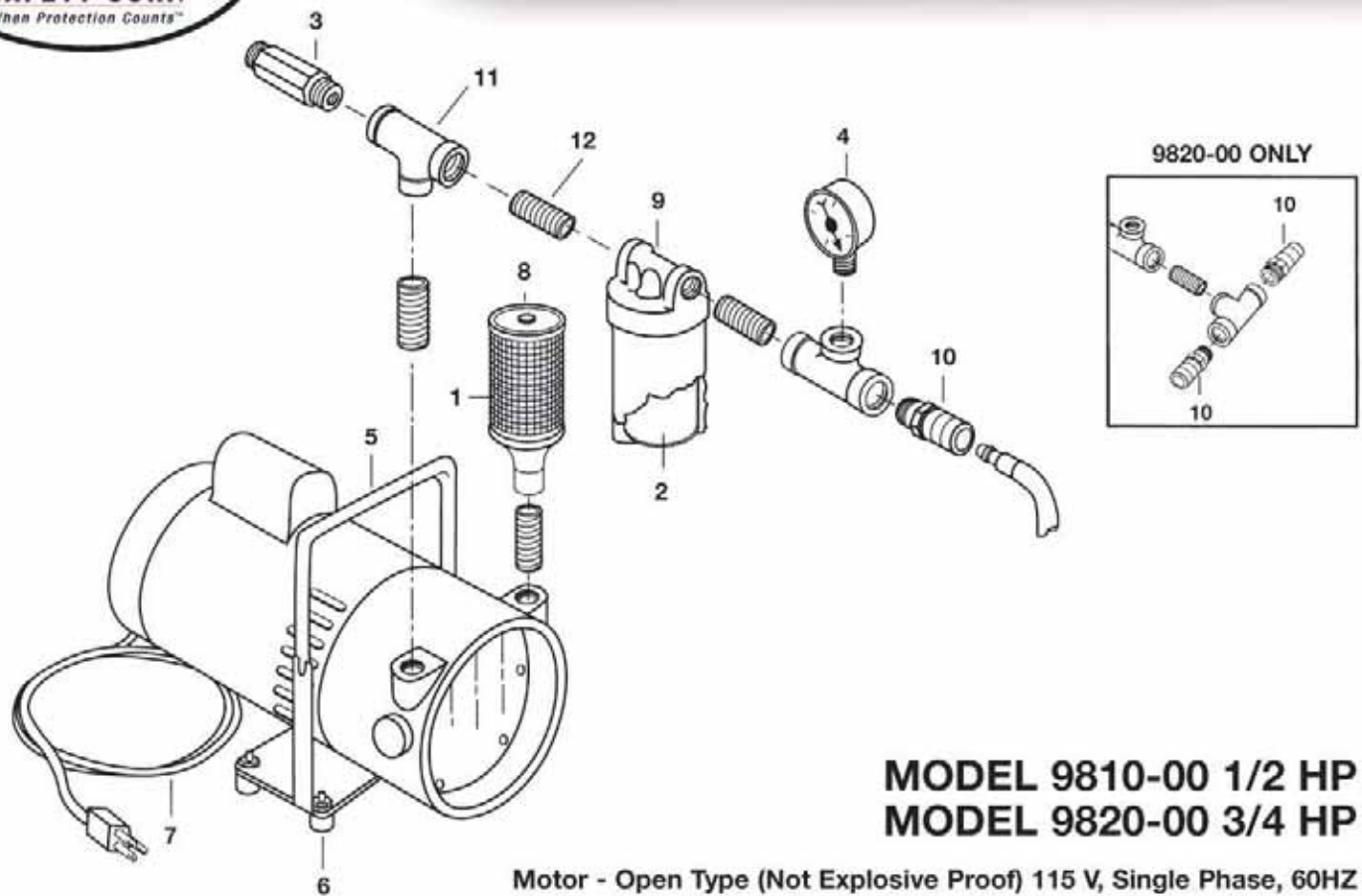
ITEM	PART#	DESCRIPTION
1	9700-14	Intake Filter Element
2	9806-02	Exhaust Filter
3	0200-021	1/4" Brass Tee
4	9700-04	Pressure Gauge
5	0200-002	1/4" Hex Nipple
6	0200-070	1/4" Elbow, Brass
7	9700-07	Electric Cord, w/ Ground Plug
8	9700-21	Intake Filter Assembly
9	9806-10	1/4" NPT Male Flow thru Coupler
	9700-11	Pump Cleaning Solution (Not Shown)
	9700-25	Inlet Hose Extender - 25 Ft. (Not Shown)
	9700-30	Inlet Hose Kit - 25 Ft. (Not Shown)

WARNING:

Exhaust filter DOES NOT REMOVE dangerous organic vapors or gases. DO NOT USE this equipment if organic vapors or gases are present. If this air pump is to be used as a breathing air source, the air inlet MUST be located in a CLEAN AIR area, where breathable air can be assured at all times.



Oil-less Air Pump



MODEL 9810-00 1/2 HP
MODEL 9820-00 3/4 HP

Motor - Open Type (Not Explosive Proof) 115 V, Single Phase, 60HZ

ITEM	PART#	DESCRIPTION
1	9700-01	Intake Filter Element
2	9700-02	Exhaust Filter Element
3	9700-03	Pressure Relief Valve
4	9700-04	Pressure Gauge
5	9700-05	Carrying Handle
6	9700-06	4 Rubber Ft., w/ Bolts and Nuts
7	9700-07	Electric Cord w/ Ground Plug
8	9700-08	Intake Filter Assembly
9	9700-09	Exhaust Filter Assembly
10	9700-10	1/4" NPT Male Coupler
11	0200-022	3/8" Brass Tee

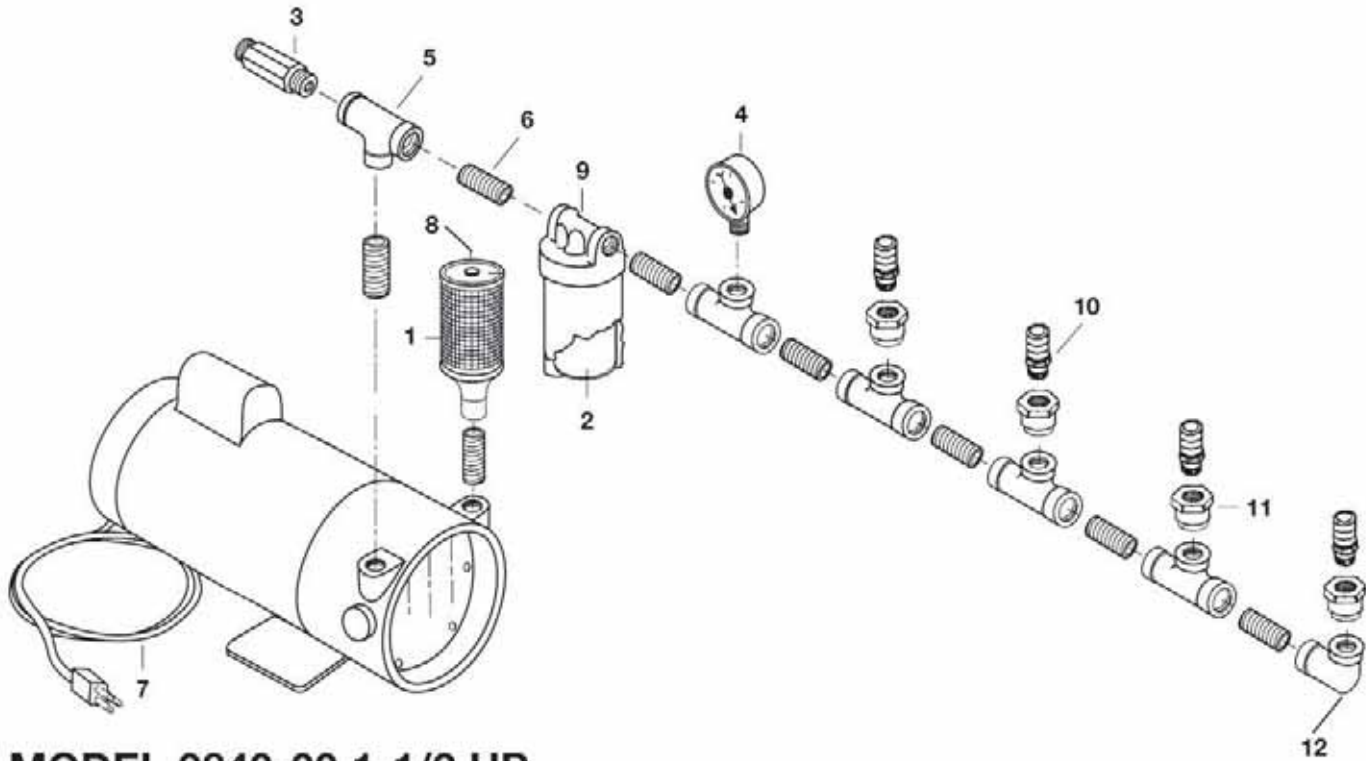
ITEM	PART#	DESCRIPTION
12	0200-003	3/8" Hex Nipple
	9700-11	Pump Cleaning Solution (Not Shown)
	9700-25	Inlet Hose Kit - 25 Ft. (Not Shown)
	9700-30	Inlet Hose Extenders - 25 Ft. (Not Shown)
	9700-50	Service Kit - Vanes, Filters & Pump Cleaning Solution (Model # 0823-1023) (Not Shown)
	9700-49	Service Kit - Vanes, Filters & Pump Cleaning Solution (Model # 0822-1022) (Not Shown)

WARNING:

Exhaust filter DOES NOT REMOVE dangerous organic vapors or gases. DO NOT USE this equipment if organic vapors or gases are present. If this air pump is to be used as a breathing air source, the air inlet MUST be located in a CLEAN AIR area, where breathable air can be assured at all times.



Oil-Less Air Pumps



MODEL 9840-00 1-1/2 HP

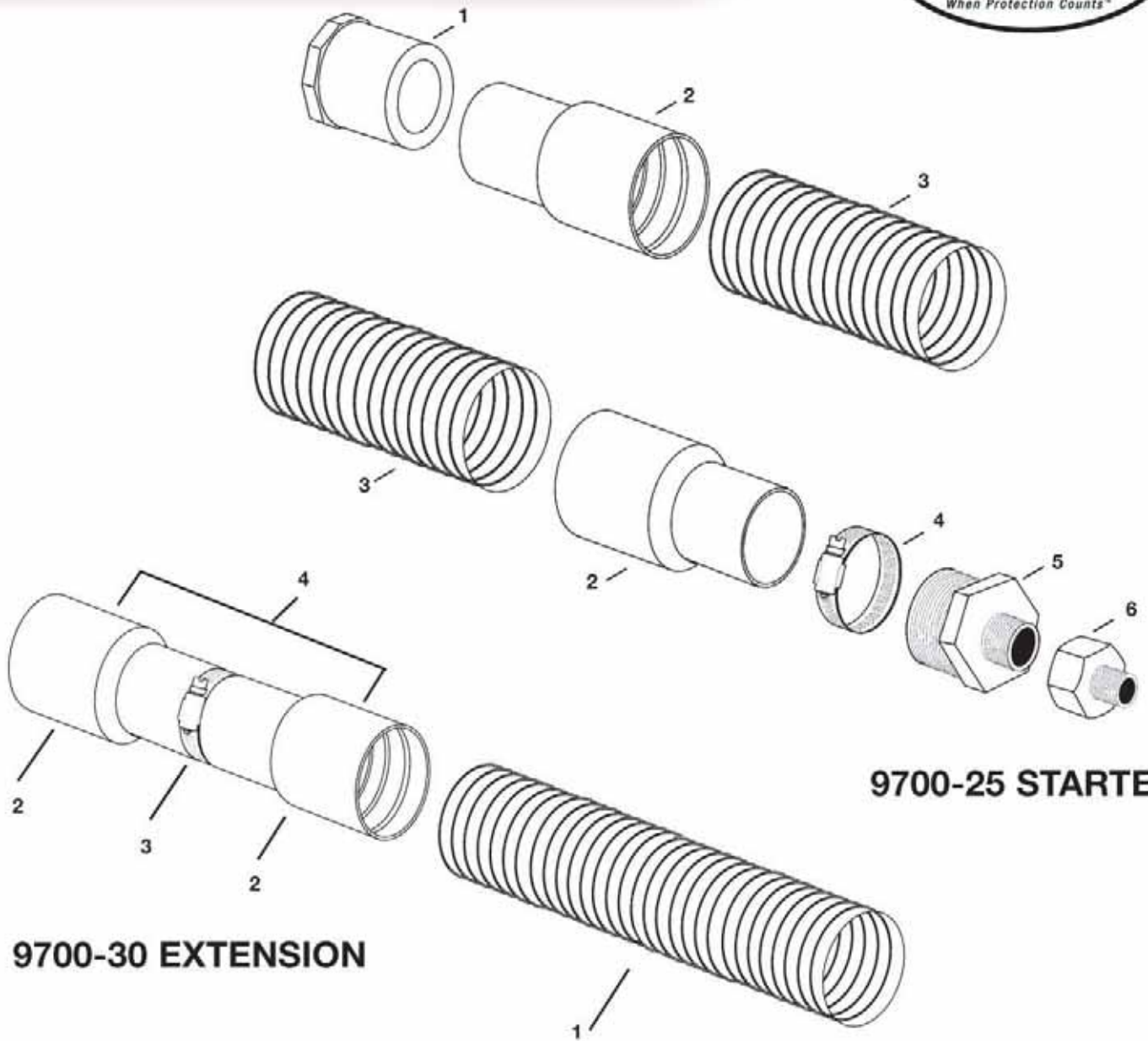
Motor - Open Type (Not Explosive Proof) 115 V, Single Phase, 60HZ

ITEM	PART#	DESCRIPTION
1	9700-01	Intake Filter Element
2	9700-02	Exhaust Filter Element
3	9840-03	Pressure Relief Valve
4	9700-04	Pressure Gauge
5	0200-024	3/4" Brass Tee
6	0200-004	3/4" Hex Nipple
7	9840-07	Electric Cord, w/ Ground Plug
8	9840-08	Intake Filter Assembly
9	9840-09	Exhaust Filter Assembly
10	9700-10	1/4" NPT Male Coupler
11	0200-054	3/4" to 1/4" Reducer
12	0200-074	3/4" Brass Elbow
	9700-11	Pump Cleaning Solution (Not Shown)
	9840-25	Inlet Hose Kit - 25 Ft. (Not Shown)
	9840-30	Inlet Hose Extender - 25 Ft. (Not Shown)

WARNING:

Exhaust filter DOES NOT REMOVE dangerous organic vapors or gases. DO NOT USE this equipment if organic vapors or gases are present. If this air pump is to be used as a breathing air source, the air inlet MUST be located in a CLEAN AIR area, where breathable air can be assured at all times.

Inlet Hose Kit



9700-25 STARTER

9700-30 EXTENSION

9700-25

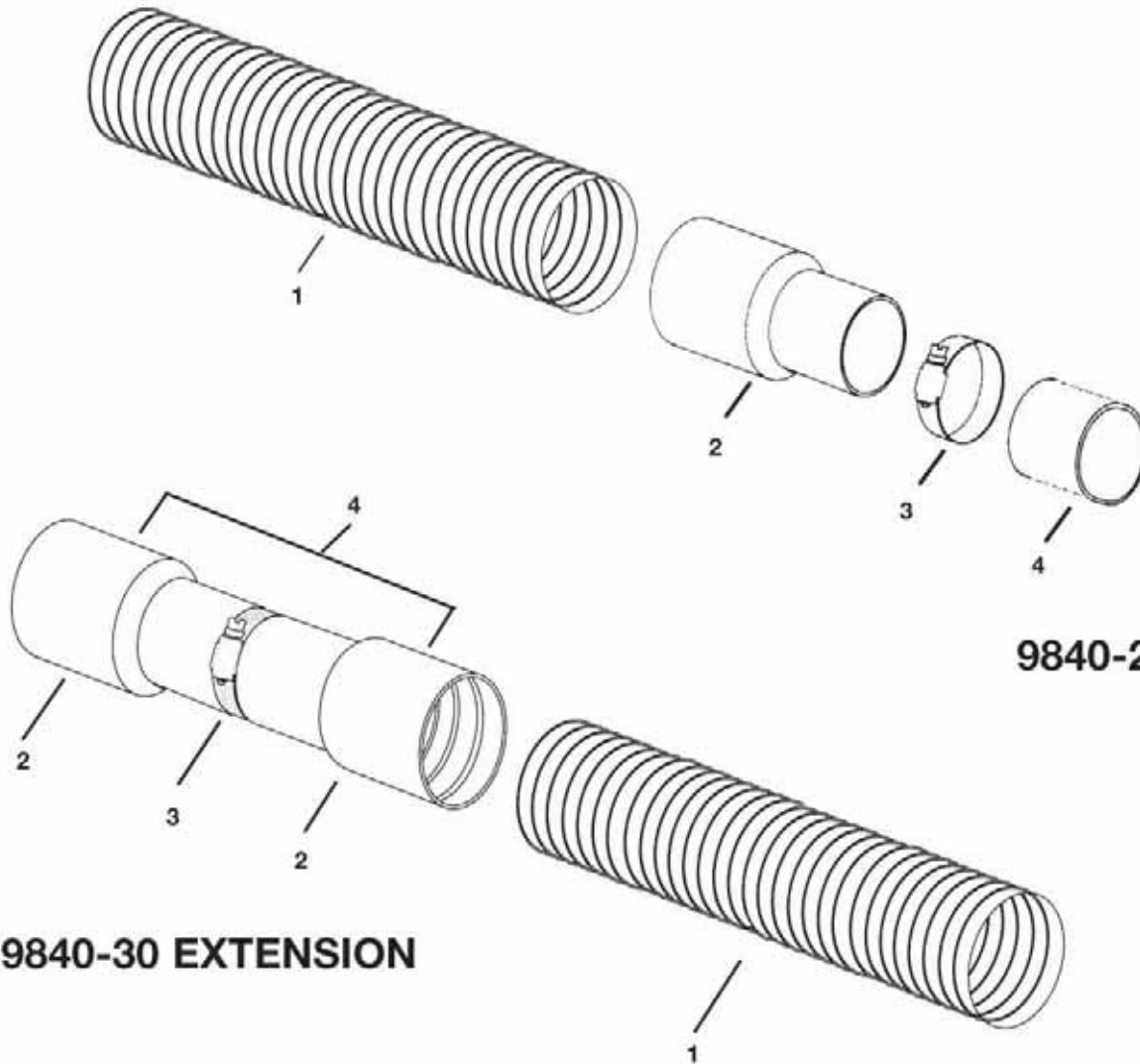
9700-30

ITEM	PART#	DESCRIPTION
1	9700-27	3/4" - 1/4" Bushing
2	9700-28	Threaded End
3	9700-24	Hose
4	0200-096	1/2" Hose Clamp
5	9700-26	3/4" - 3/8" Nipple
6	0200-062	3/8" - 1/4" Adapter
	9700-29	1" Pipe Strap (Not Shown)

ITEM	PART#	DESCRIPTION
1	9700-24	Hose
2	9700-28	Threaded End
3	0200-096	1/2" Hose Clamp
4	9700-31	Hose Ext. Connector
	9700-29	1" Pipe Strap (Not Shown)



Inlet Hose Starter Kit



9840-25 STARTER

9840-30 EXTENSION

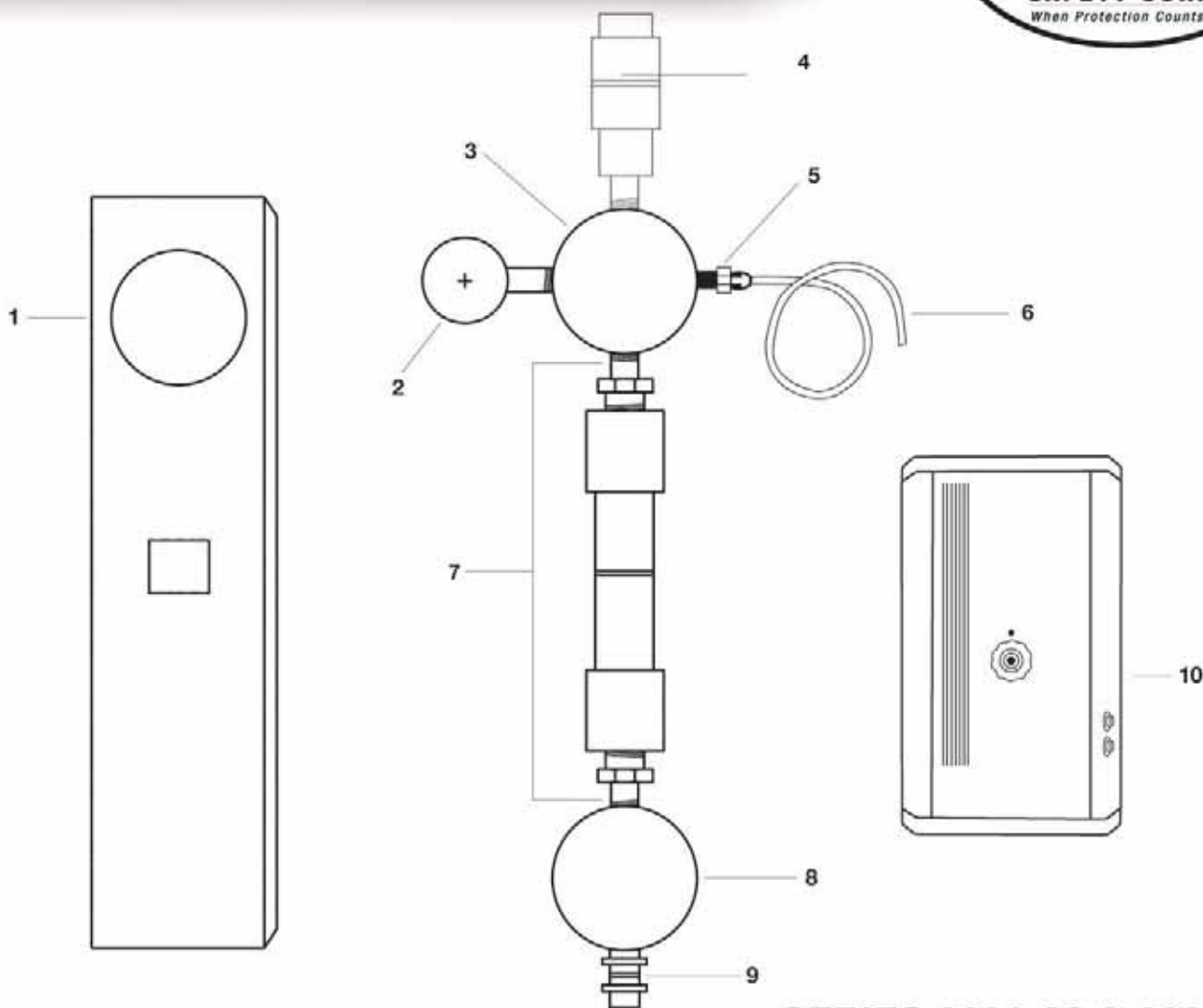
9840-25

ITEM	PART#	DESCRIPTION
1	9700-24	Hose
2	9700-28	Threaded End
3	0200-096	1/2" Hose Clamp
4	9840-26	3/4" - 3/8" Nipple
	9700-29	1" Pipe Strap (Not Shown)

9840-30

ITEM	PART#	DESCRIPTION
1	9700-24	Hose
2	9700-28	Threaded End
3	0200-096	1/2" Hose Clamp
4	9700-31	Hose Ext. Connector
	9700-29	1" Pipe Strap (Not Shown)

Pure-Air Filtration

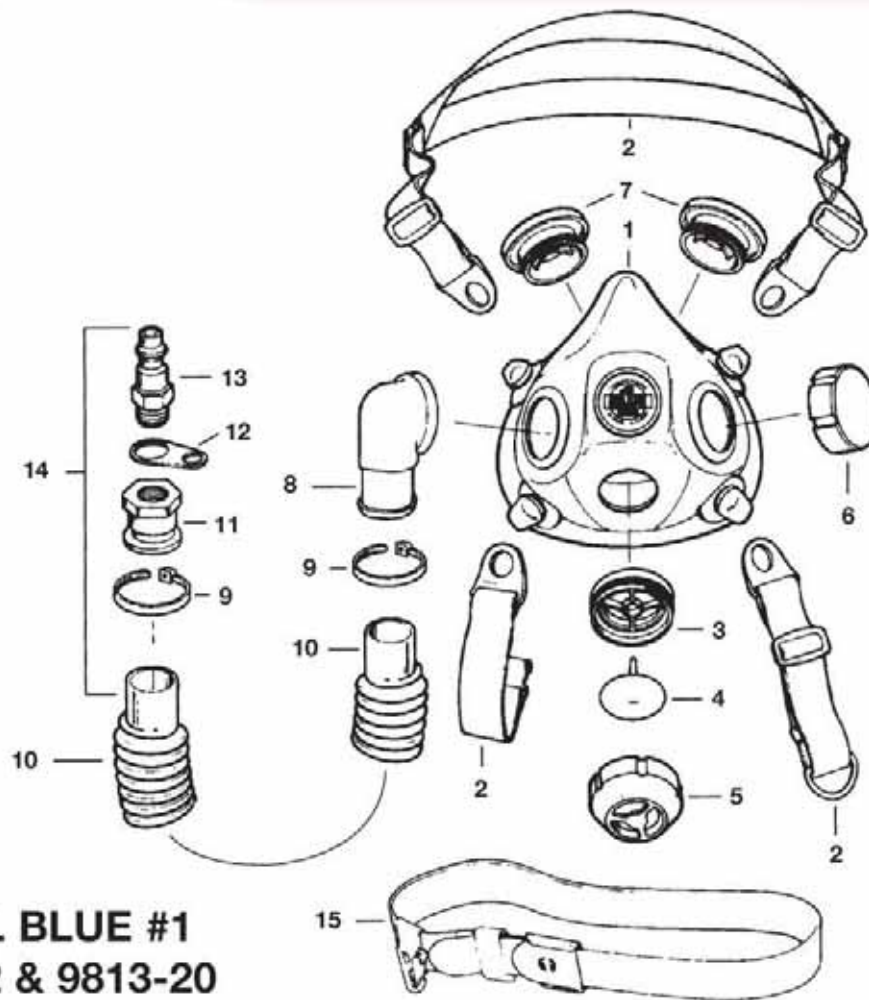


SERIES 2001-00 & 2001-01

ITEM	PART#	DESCRIPTION
1	2001-80	Front/Back Housing
2	2001-83	Pressure Air Gauge (2" Dia/0-15 psi)
3	2001-65	2nd Stage Regulator (0-60 psi)
4	9700-10	1/4" NPT Male Coupler
5	2001-20	Barbed Orifice
6	2001-84	Vinyl Tubing (1' Section)
7	2001-50	Replacement Filter
8	2001-66	1st Stage Regulator (0-125 psi)
9	9813-21	1/4" NPT Threaded Plug
	2001-82	Screws, Qty. 6 needed (Not Shown)
10	2001-86	Co Monitor Cover Only
	2001-85	Co Monitor Vinyl Case (Not Shown)



Professional Supplied-Air Halfmask

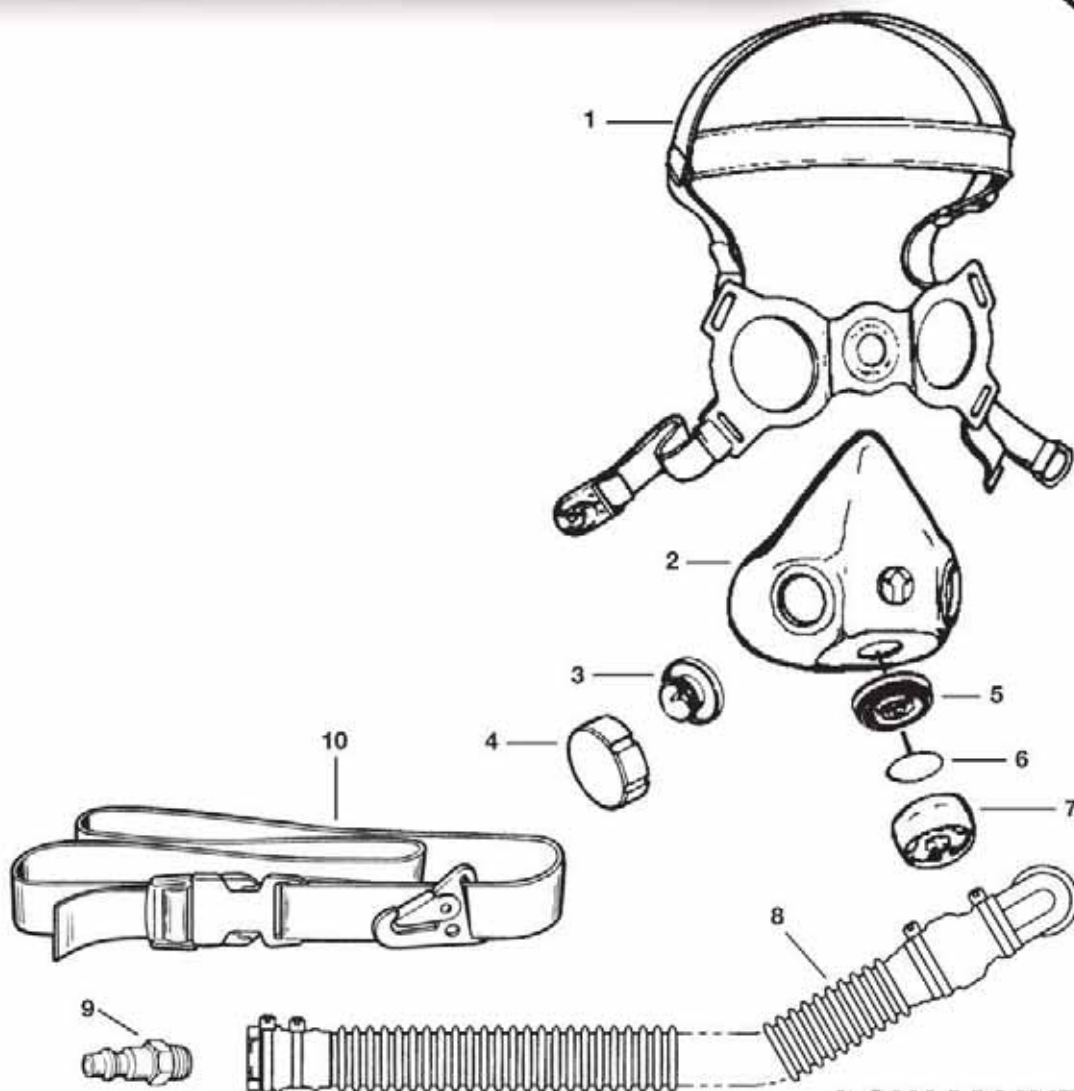


PROFESSIONAL BLUE #1 MODEL 9810-02 & 9813-20

ITEM	PART#	DESCRIPTION
1	2100-02	Blue Facepiece – S (Silicone Only)
	2200-02	Blue Facepiece – M (Silicone Only)
	2300-02	Blue Facepiece – L (Silicone Only)
2	1400-40	Replacement Headstrap, Cradle
3	9850-16	Exhaust Seat
4	1400-03	Exhalation Valve
5	9850-15	Exhaust Guard
6	9850-20	Cap
7	1400-02	Threaded Facepiece Connection

ITEM	PART#	DESCRIPTION
8	9850-17	Elbow
9	9852-03	5.6" Cable Tie
10	9850-03	Down Tube Hose (Bare)
11	9852-23	Adapter - End of Downtube
12	9852-24	Clip
13	9813-21	1/4" NPT Threaded Plug
14	9850-30	Halfmask Downtube Assembly (#8-13)
15	9850-31	Belt, Nylon Web

Low Maintenance Gray Supplied-Air Halfmask



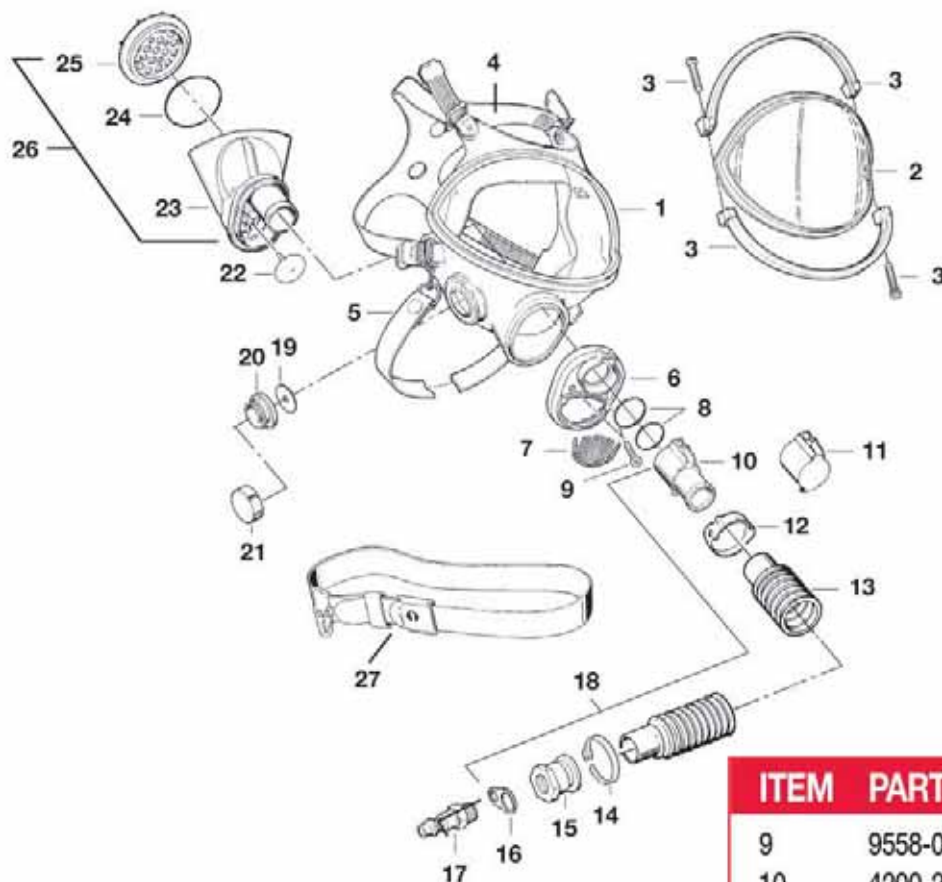
LOW MAINTENANCE GRAY MODEL 9813-70 & 9813-71

ITEM	PART#	DESCRIPTION
1	2600-23	Replacement Headstrap Cradle
2	3500-02	Gray - Small Facepiece - (Silicone Only)
	3600-02	Gray - Medium Facepiece - (Silicone Only)
	3700-02	Gray - Large Facepiece - (Silicone Only)
3	1400-02	Threaded Facepiece Connection

ITEM	PART#	DESCRIPTION
4	9850-20	Cap
5	9850-16	Exhaust Seat
6	1400-03	Exhalation Valve
7	9850-15	Exhalation Valve Guard
8	9813-72	Hose Assembly, Basic SAR (Includes #9)
9	9813-21	1/4" NPT Threaded Plug
10	9817-15	Belt Assembly



Professional Blue Supplied-Air Fullmask

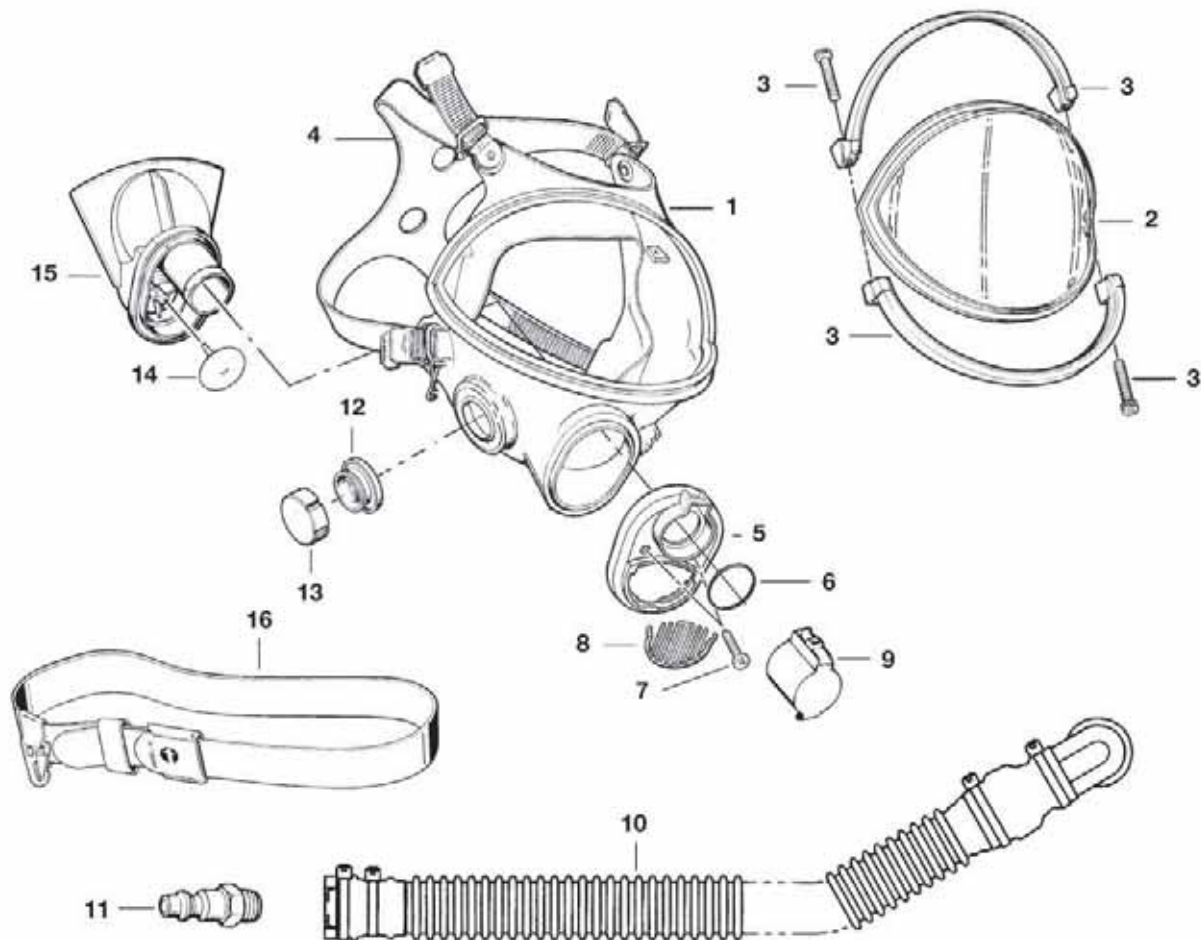


MODEL 9812-00

ITEM	PART#	DESCRIPTION
1	4200-10	Blue Skirt Assembly, Standard (Silicone Only)
	4100-10	Blue Skirt Assembly, Small (Silicone Only)
2	9417-13	Solvent Resistant Lens
3	9416-40	Rim Set (2) & Socket Head Screw (2)
4	9417-23	Headstrap, Silicone
5	9401-67	Neckstrap, Nylon
6	4200-39	Nozzle Cover
7	4200-08	Grill
8	8240-14	Nozzle O-Ring

ITEM	PART#	DESCRIPTION
9	9558-05	Screw, Grill (2)
10	4200-23	Downtube, Quick Connect
11	4200-20	Conversion Cap
12	9417-32	Hose Clamp
13	9850-03	Downtube, Bare
14	9852-03	5.6" Cable Tie
15	9852-23	Adapter-End of Downtube
16	9852-24	Clip
17	9813-21	1/4" NPT Threaded Plug
18	9812-06	Downtube Assembly
19	1400-01	Inhalation Valve
20	1400-02	Threaded Facepiece Connection
21	9850-20	Cap
22	1400-03	Exhalation Valve
23	9800-81	Nozzle
24	8200-31	Speaking Diaphragm O-Ring (1)
25	9417-59	Speaking Diaphragm
26	4200-83	Nozzle w/ Speaking Diaphragm Assembly
27	9850-31	Belt Assembly

Low Maintenance Gray Supplied-Air Fullface



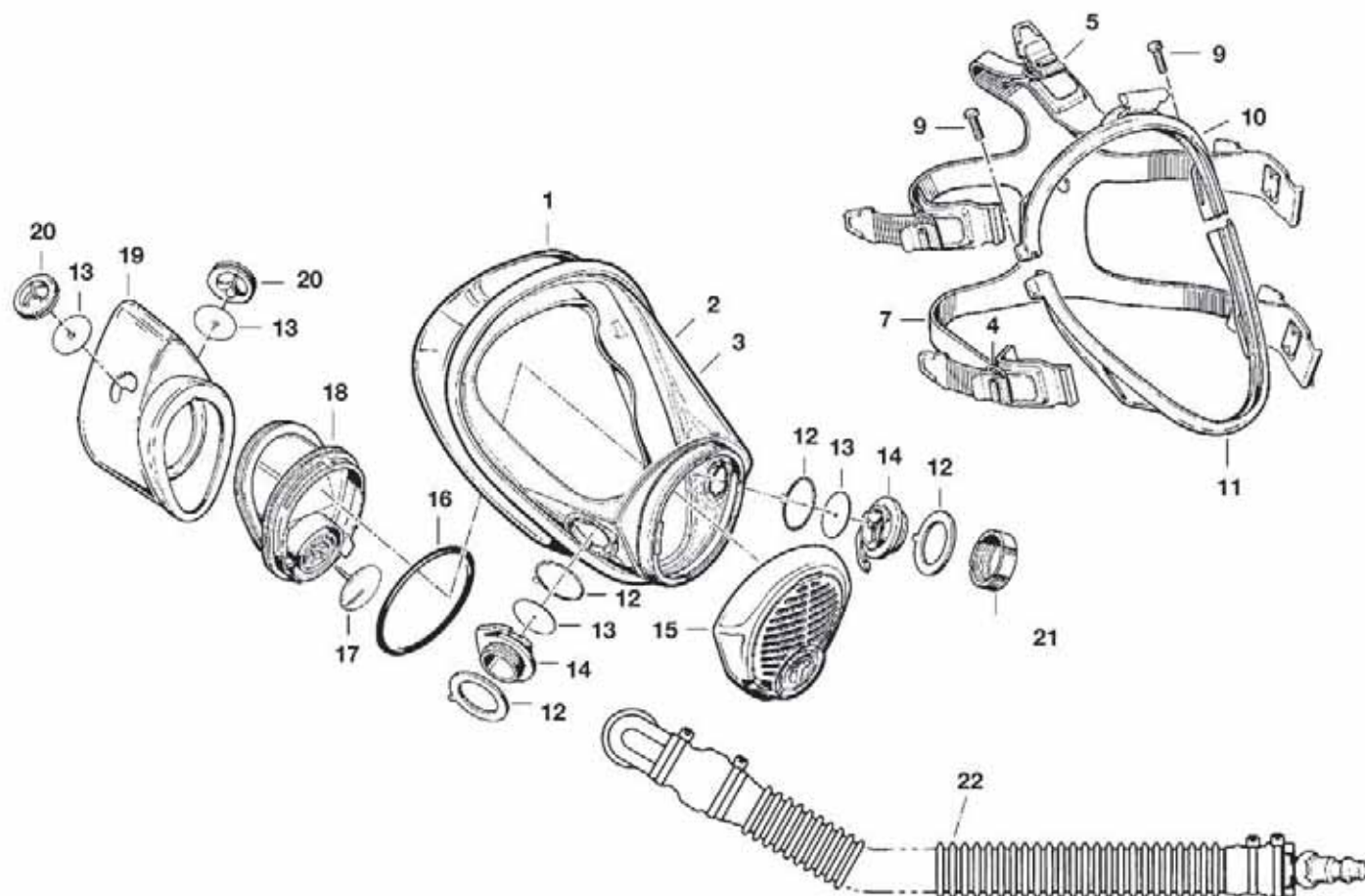
MODEL 9812-70

ITEM	PART#	DESCRIPTION
1	4500-02	Gray Skirt Assembly, Standard (Silicone Only)
	4400-02	Gray Skirt Assembly, Small (Silicone Only)
2	9412-30	Replacement Lens
3	9416-40	Rim Set (2) & Socket Head Screw (2)
4	4500-10	Headstrap, Silicone
5	4200-39	Nozzle Cover
6	8240-14	Nozzle O-Ring (1)
7	9558-05	Screw, Grill (2)
8	4200-08	Grill

ITEM	PART#	DESCRIPTION
9	4200-20	Conversion Cap
10	9813-72	Downtube Assembly, Basic SAR (Includes #11)
11	9813-21	1/4" NPT Threaded Plug
12	1400-02	Threaded Connector
13	9850-20	Cap
14	1400-03	Inhalation Valve
15	9800-81	Nozzle
16	9817-15	Belt



Opti-Fit Supplied-Air Fullface

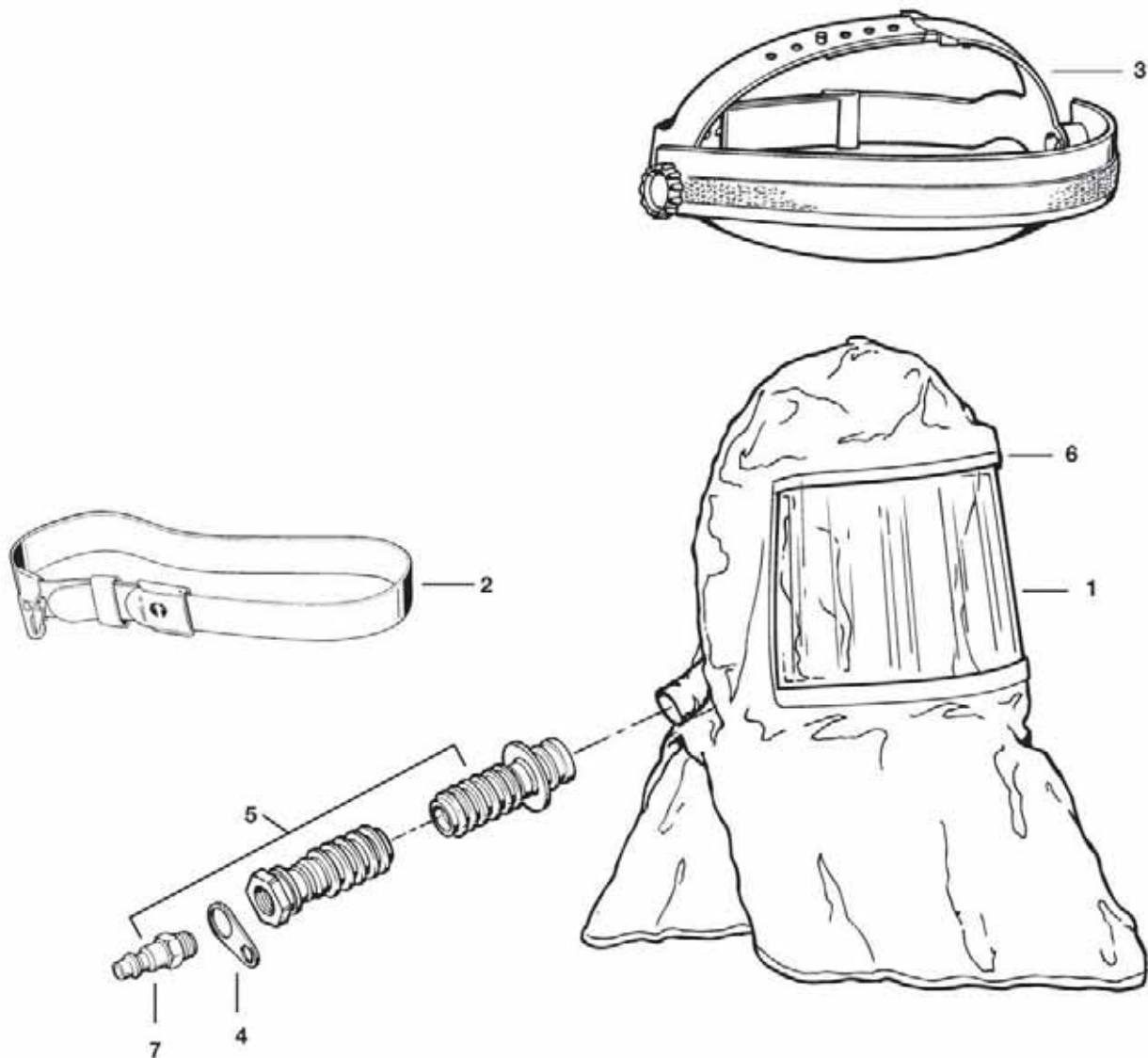


MODEL OPTI-FIT SAR SERIES

ITEM	PART#	DESCRIPTION
1	9621-57	Skirt, Small (Incl. #'s 2-20)
	9621-67	Skirt, Medium (Incl. #'s 2-20)
	9621-77	Skirt, Large (Incl. #'s 2-20)
2	7620-07	Lens Replacement
3	7600-95	Peel-Off Lens Cover
4	7620-13	Short Buckle Strap Kit
5	7620-19	Long Buckle Strap Kit
7	7620-09	Headstrap, TPE
9	8391-02	Screw (2 req.)
10	7620-31	Rim, Upper
11	7620-37	Rim, Lower

ITEM	PART#	DESCRIPTION
12	7620-38	Twin Seal (2 req.)
13	1400-01	Inhalation Valve
14	7620-35	Connector, Threaded
15	7620-04	Nozzle Cover
16	8202-61	O-Ring
17	1400-05	Exhalation Valve
18	7620-03	Nozzle
19	7620-23	Nose Cup
20	7620-90	Valve Holder (2 req.)
21	9850-20	Cap
22	9813-72	Downtube Assembly

Supplied-Air Hood

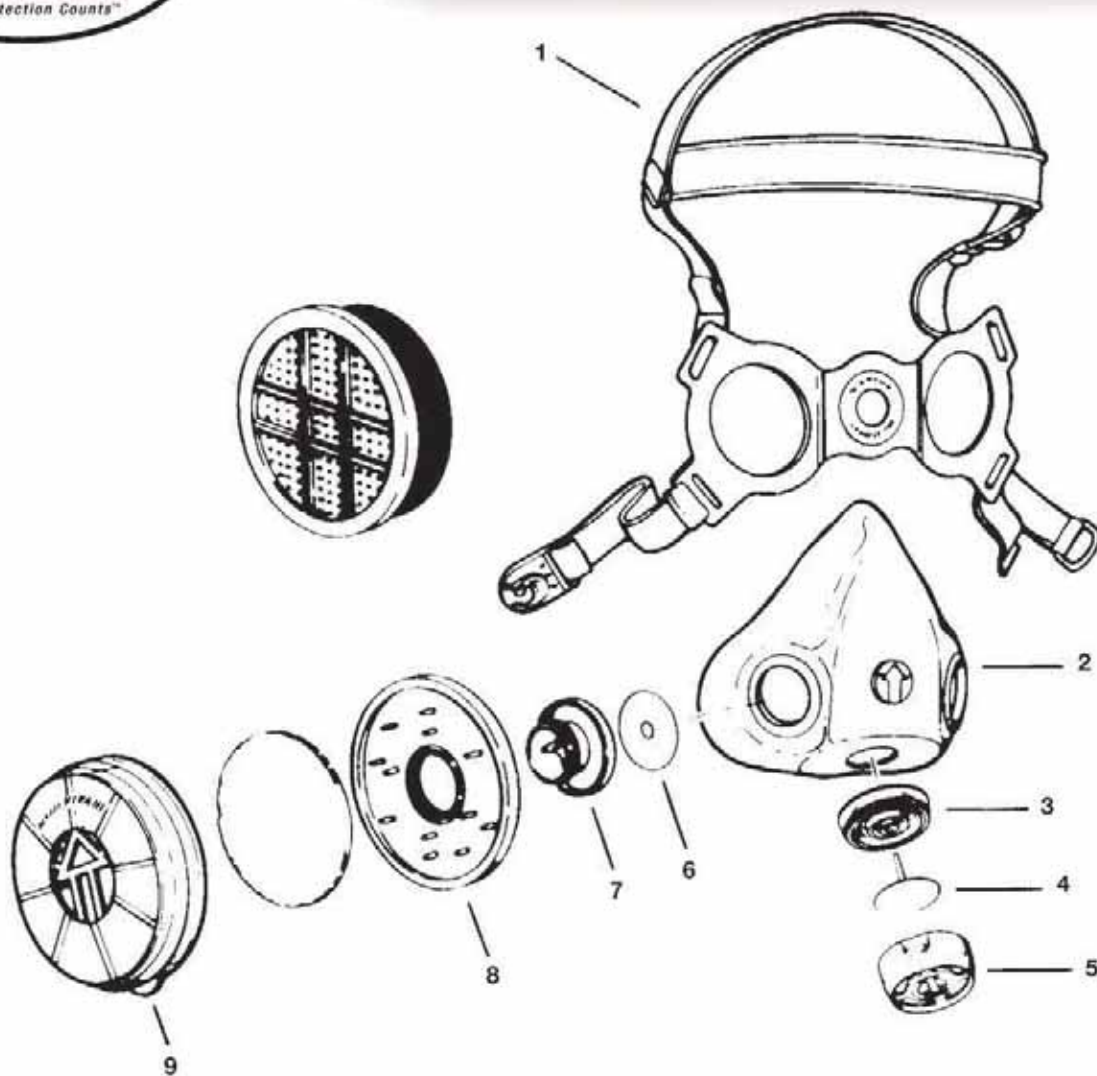


MODEL 9818-00

ITEM	PART#	DESCRIPTION
1	9818-10	Replacement Hood
2	9817-15	Belt
3	9818-25	Hood Suspension
4	9852-24	Clip
5	9817-25	Downtube Assembly, Hood
6	9818-20	Peel-Off Lens Cover
7	9813-21	1/4" NPT Threaded Plug



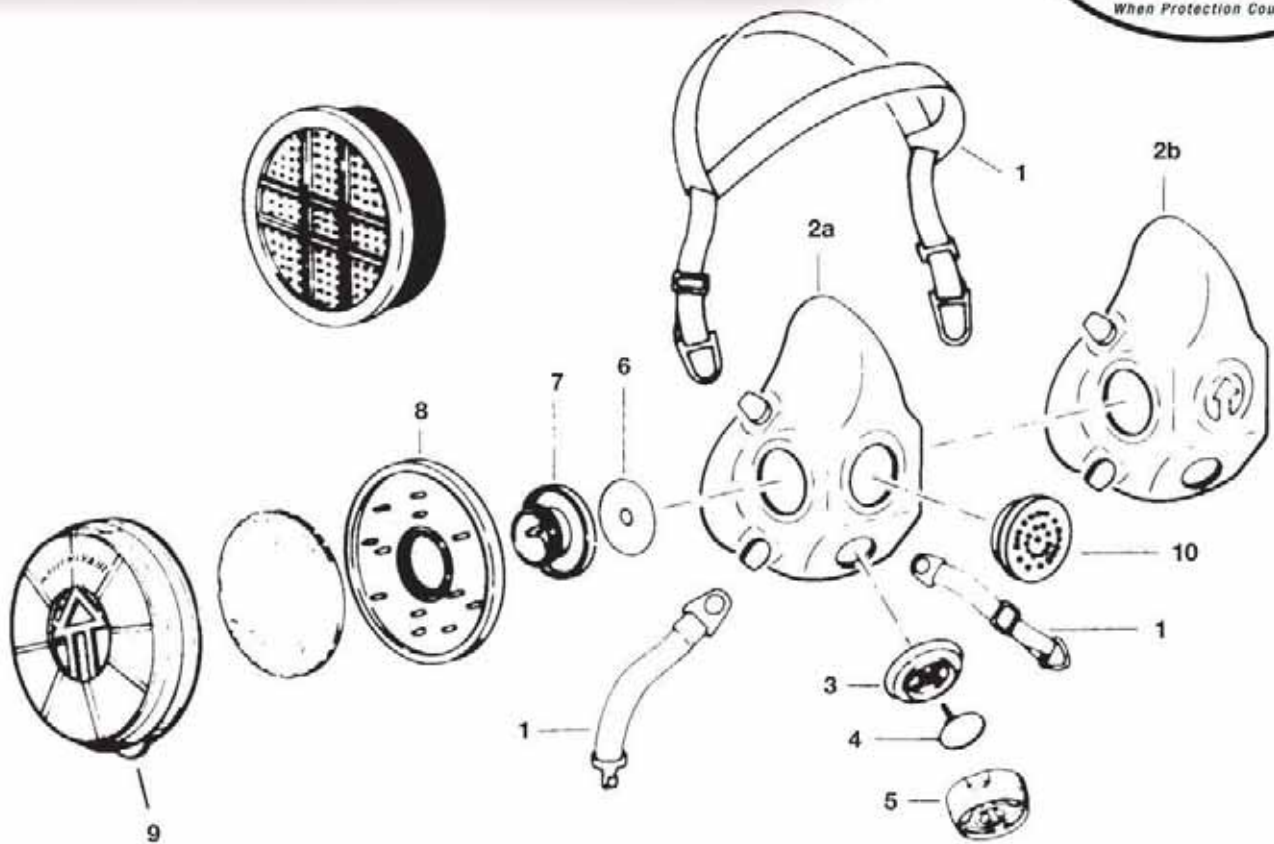
Low Maintenance Gray APR Halfmask



SERIES 3500-00. 3600-00 & 3700-00

ITEM	PART#	DESCRIPTION
1	2600-23	Replacement Headstrap, Cradle
2	3500-02	Facepiece - Small
	3600-02	Facepiece - Medium
	3700-02	Facepiece - Large
3	2600-19	Exhalation Valve Seat
4	1400-03	Exhalation Valve
5	2600-18	Exhalation Valve Guard
6	1400-01	Inhalation Valve
7	1400-02	Threaded Facepiece Connection
8	1400-74	Filter Holder, Male
9	1400-76	Filter Holder, Female

Professional Blue APR Halfmask

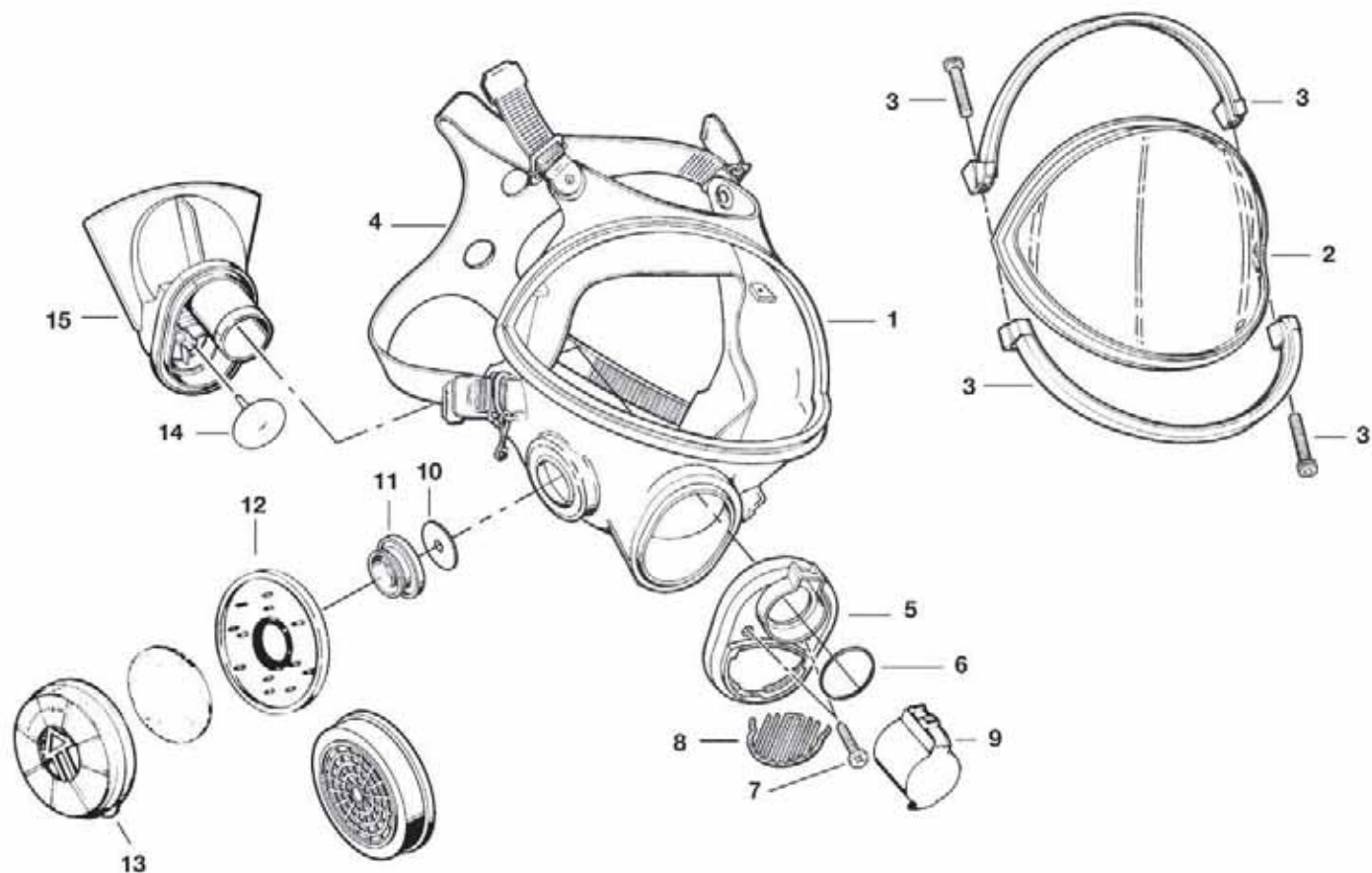


SERIES 2100-00, 2200-00 & 2300-00
SERIES 2500-00, 2600-00 & 2700-00

ITEM	PART#	DESCRIPTION
1	1400-40	Replacement Headstrap, Cradle
2a	2100-10	Facepiece-Small w/ Speaking Diaphragm
	2200-10	Facepiece-Med w/ Speaking Diaphragm
	2300-10	Facepiece-Large w/ Speaking Diaphragm
2b	2100-02	Facepiece-Small
	2200-02	Facepiece-Medium
	2300-02	Facepiece-Large
3	1400-04	Exhalation Valve Seat
4	1400-03	Exhalation Valve
5	1400-06	Exhalation Valve Guard
6	1400-01	Inhalation Valve
7	1400-02	Threaded Facepiece Connection
8	1400-74	Filter Holder, Male
9	1400-76	Filter Holder, Female
10	2200-54	Speaking Diaphragm



Low Maintenance Gray APR Fullface

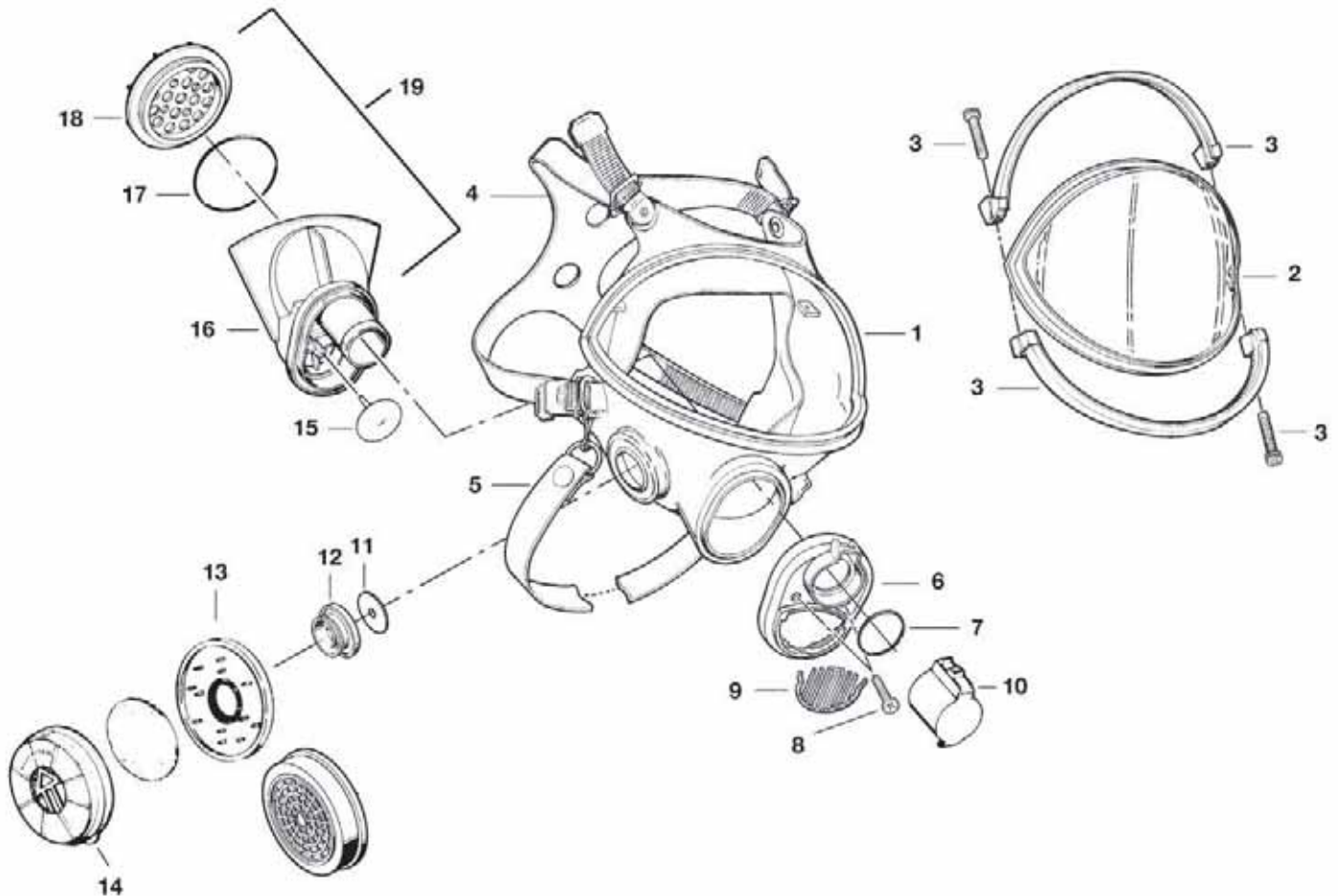


4500-00 SERIES

ITEM	PART#	DESCRIPTION
1	4400-02	Skirt Assembly - Small
	4500-02	Skirt Assembly - Standard
2	9412-30	Replacement Lens
3	9416-40	Rim Set (2) & Socket Head Screw (2)
4	4500-10	Silicone Headstrap
5	4200-39	Nozzle Cover
6	8240-14	Nozzle O-Ring (1)
7	9558-05	Screw (2)

ITEM	PART#	DESCRIPTION
8	4200-08	Grill
9	4200-20	Conversion Cap
10	1400-01	Inhalation Valve
11	1400-02	Threaded Facepiece Connection
12	1400-74	Filter Holder, Male
13	1400-76	Filter Holder, Female
14	1400-03	Exhalation Valve
15	9800-81	Nozzle

Professional Blue APR Fullface



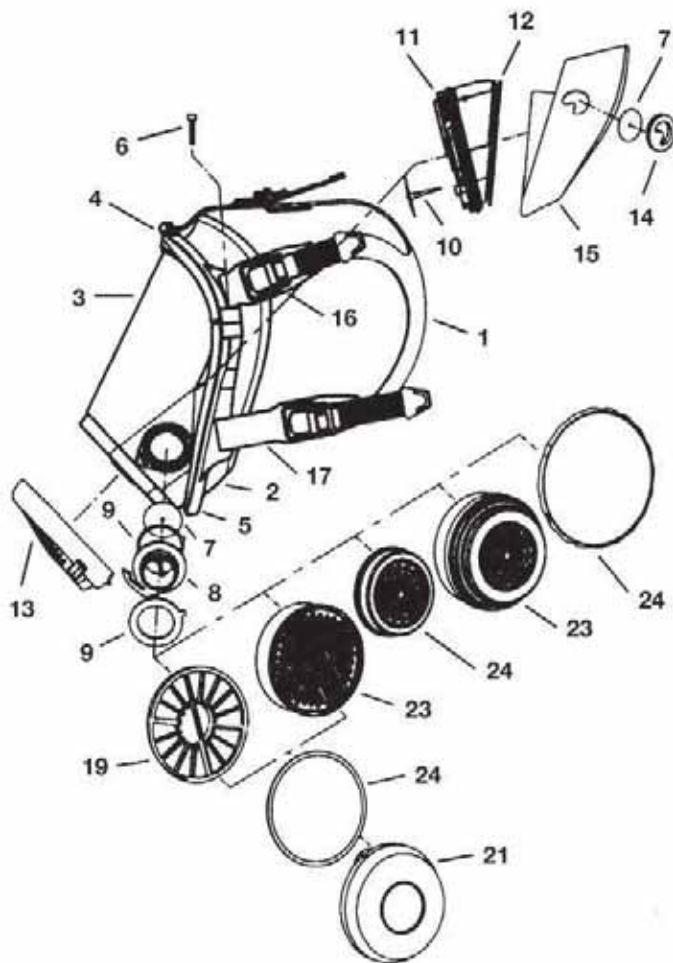
4000-00 SERIES

ITEM	PART#	DESCRIPTION
1	4100-10	Skirt Assembly - Small
	4200-10	Skirt Assembly - Standard
2	9417-13	Solvent Resistant Lens
3	9416-40	Rim Set (2) & Socket Head Screw (2)
4	9417-23	Silicone Headstrap
5	9401-67	Neckstrap, Nylon
6	4200-39	Nozzle Cover
7	8240-14	Nozzle O-Ring (1)
8	9558-05	Screw, Grill (2)
9	4200-08	Grill
10	4200-20	Cap, Quick Connect

ITEM	PART#	DESCRIPTION
11	1400-01	Inhalation Valve
12	1400-02	Threaded Facepiece Connection
13	1400-74	Filter Holder, Male
14	1400-76	Filter Holder, Female
15	1400-03	Exhalation Valve
16	9800-81	Nozzle
17	8200-31	Speaking Diaphragm O-Ring
18	9417-59	Speaking Diaphragm
19	4200-83	Nozzle w/ Speaking Diaphragm Assembly



Opti-Fit APR Fullface

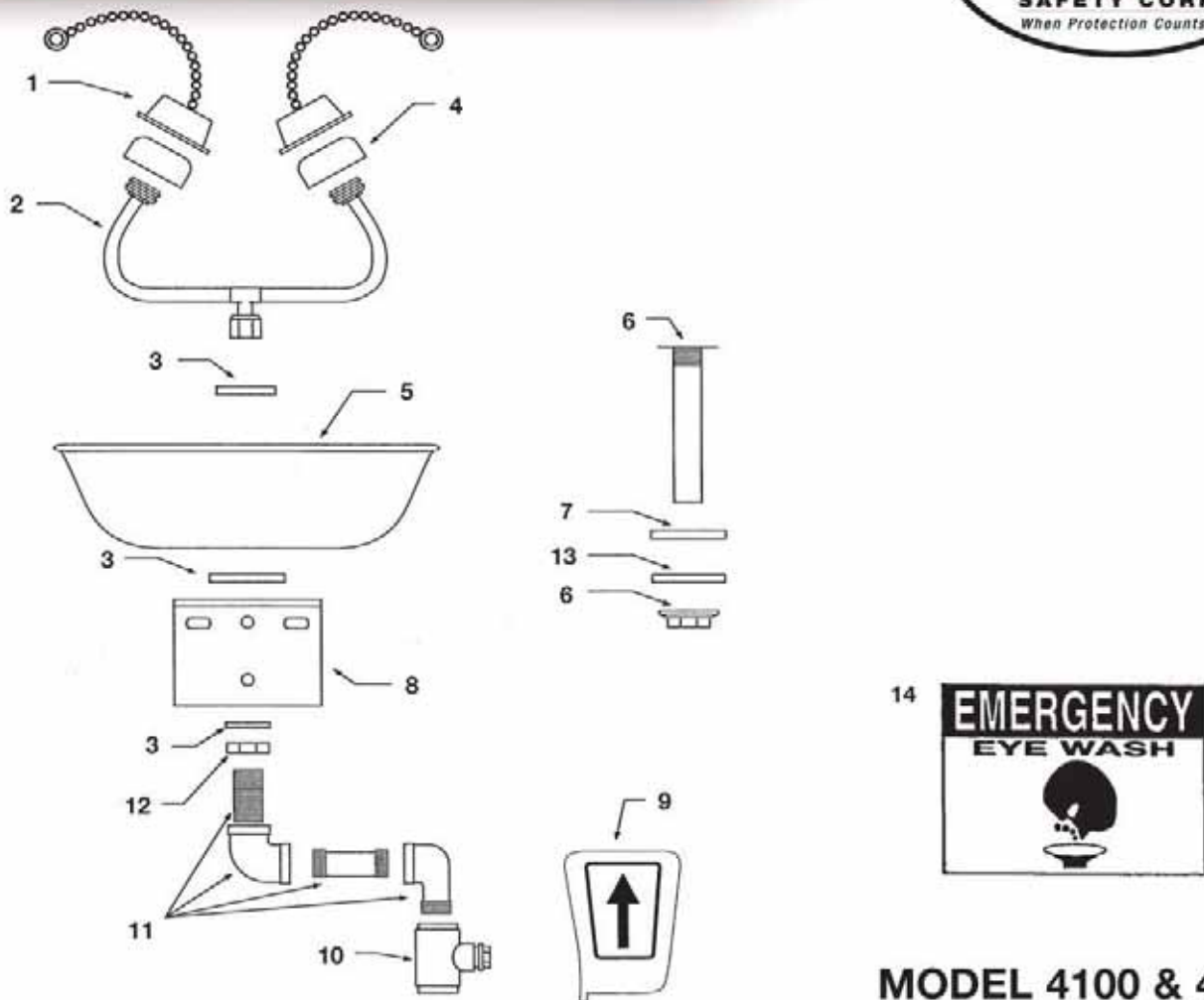


MODEL OPTI-FIT APR SERIES

PART#	DESCRIPTION
7622-60	Spectacles Kit (Not Shown)
7620-31	Neckstrap Kit (Not Shown)

ITEM	PART#	DESCRIPTION
1	7620-09	Headstrap, TPE
2	9621-57	Small Skirt, Silicone
	9621-67	Medium Skirt, Silicone
	9621-77	Large Skirt, Silicone
3	7620-07	Lens
4	7620-31	Upper Rim
5	7620-37	Lower Rim
6	8391-02	Screw
7	1400-01	Inhalation Valve
8	7620-35	Connector, Threaded (Incl. 2 Twin Seals)
9	7620-38	Twin Seal
10	1400-05	Exhalation Valve
11	8202-61	O-Ring
12	7620-03	Nozzle
13	7620-04	Cover
14	7620-90	Valve Holder
15	7620-23	Nose Cup
16	7620-13	Short Buckle Strap Kit
17	7020-19	Long Buckle Strap Kit
19	1400-74	Filter Holder, Threaded
21	1400-76	Filter Retainer, Threaded
22	9104-52	Christolube Lubricant (Not Shown)

Emergency Eyewash, Wall Mount

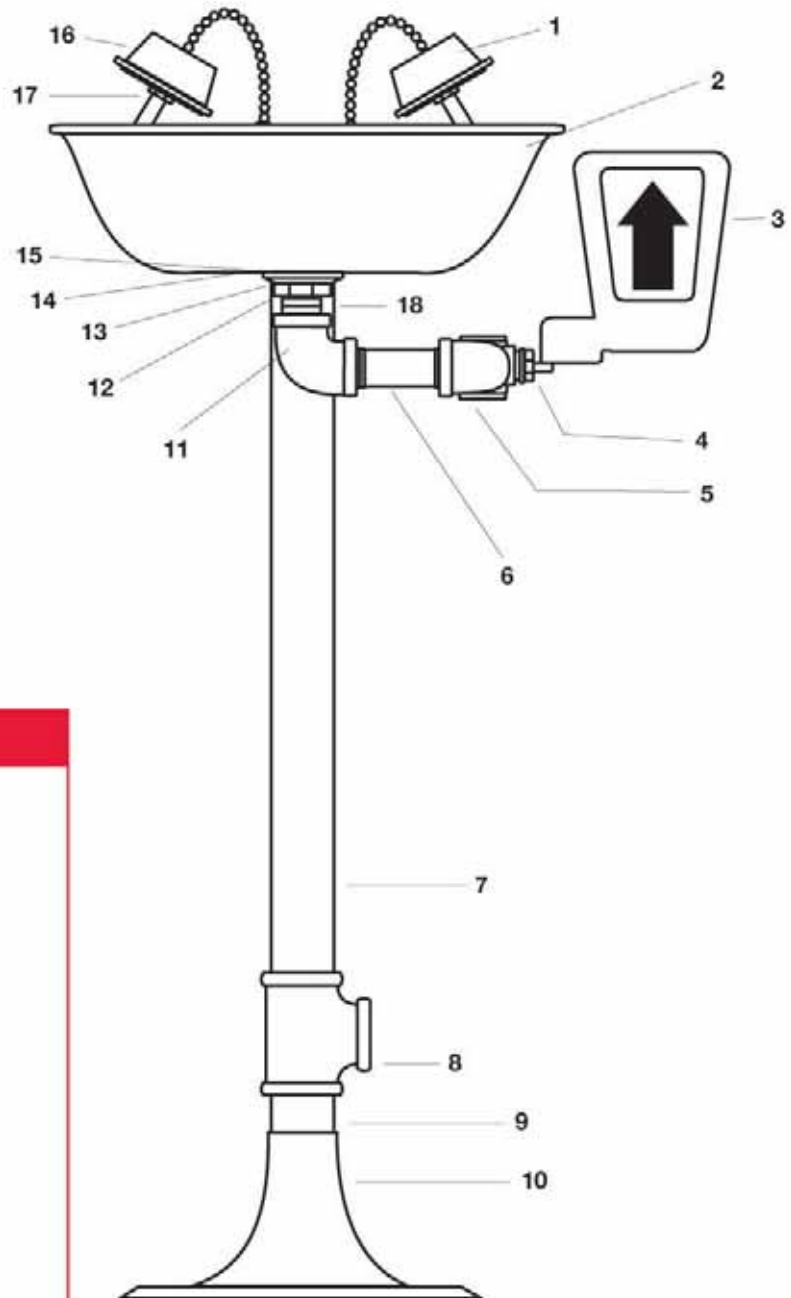


MODEL 4100 & 4120

ITEM	PART#	DESCRIPTION
1	4100-50	Cap, Dust Cover
2	4100-77	Tube Assembly
3	4100-58	Washer, Nylon 1 1/4" OD
4	4100-52	Aerated Spray Nozzle Head
5	4100-55	Bowl - 10" ABS Plastic
	4100-80	Bowl - 10" Stainless Steel
6	4100-72	Drain Assembly w/ Nut
7	4100-74	Spacer - 1 3/8" ID x 1 3/4" OD x 1/8"
8	4100-71	Wall Bracket
9	4100-68	Handle
10	4100-67	Ball Valve - 1/2"
11	4100-78	Pipe Assembly
12	4100-62	Nut - 1/2" NPT
13	4100-73	Washer
14	9911	Eyewash Safety Sign



Emergency Eyewash, Pedestal Mount

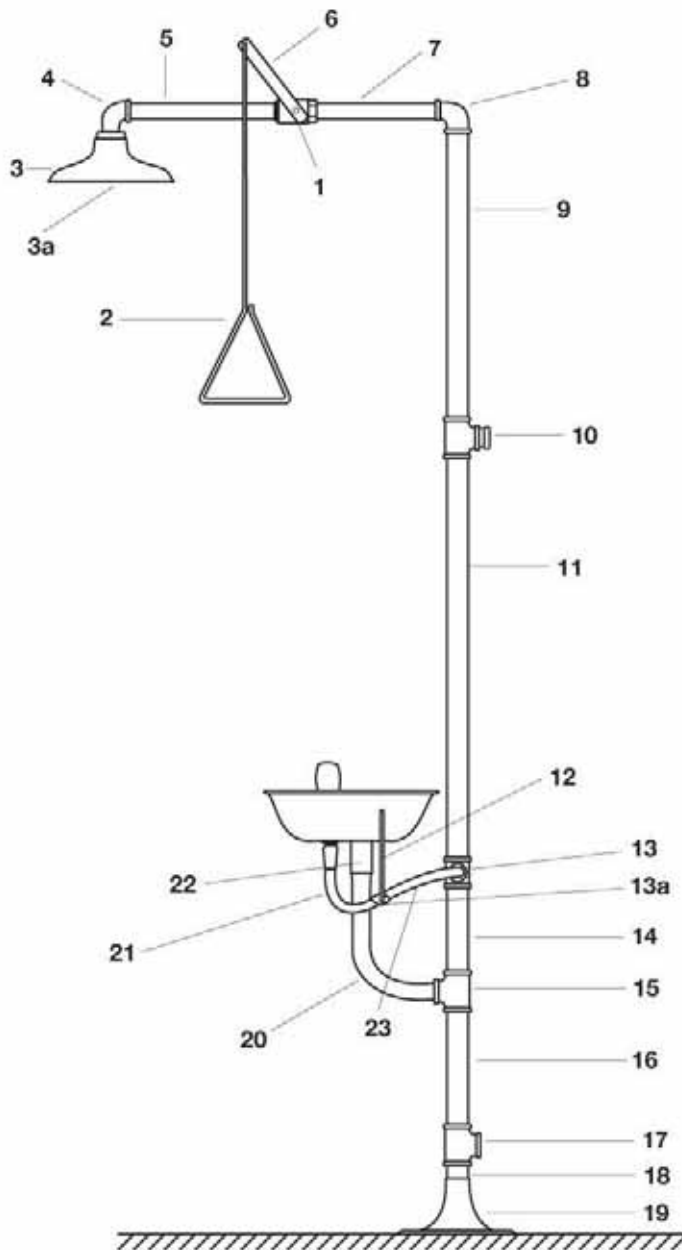


MODEL 4101 & 4121

ITEM	PART#	DESCRIPTION
1	4100-50	Cap - Dust Cover
2	4100-55	Bowl - 10" ABS Plastic
2	4100-80	Bowl - 10" Stainless Steel
3	4100-68	Handle
4	4100-67	Ball Valve, - 1/2" NPT
5	4100-66	Street Elbow, - 1/2" NPT
6	4100-65	Nipple, 1/2" NPT x 3"
7	4116-25	Nipple, 1 1/4" x 30"
8	4116-28	BMI Tee, - 1 1/4"
9	4116-37	Plug, 1 1/4" x 1 5/8"
10	4116-35	BMI Floor Flange, 1 1/4"
11	4100-64	Elbow, 1/2" NPT
12	4100-63	Allthread, 1/2" NPT x 1 3/4"
13	4100-62	Nut, - 1/2" NPT
14	4100-58	Washer, Nylon 1 1/4" OD x .825 ID
15	4116-49	Waste Socket (Drain), 1" x 1 1/2"
16	4100-52	Aerated Spray Nozzle Head
17	4100-77	Tube Assembly
18	4116-52	Reducer, 1 1/4" x 1" FNPT

NOTE: For Bowl Assembly Parts,
Please Refer to Eyewash 4100

Emergency Drench Shower with Eye/Face Wash



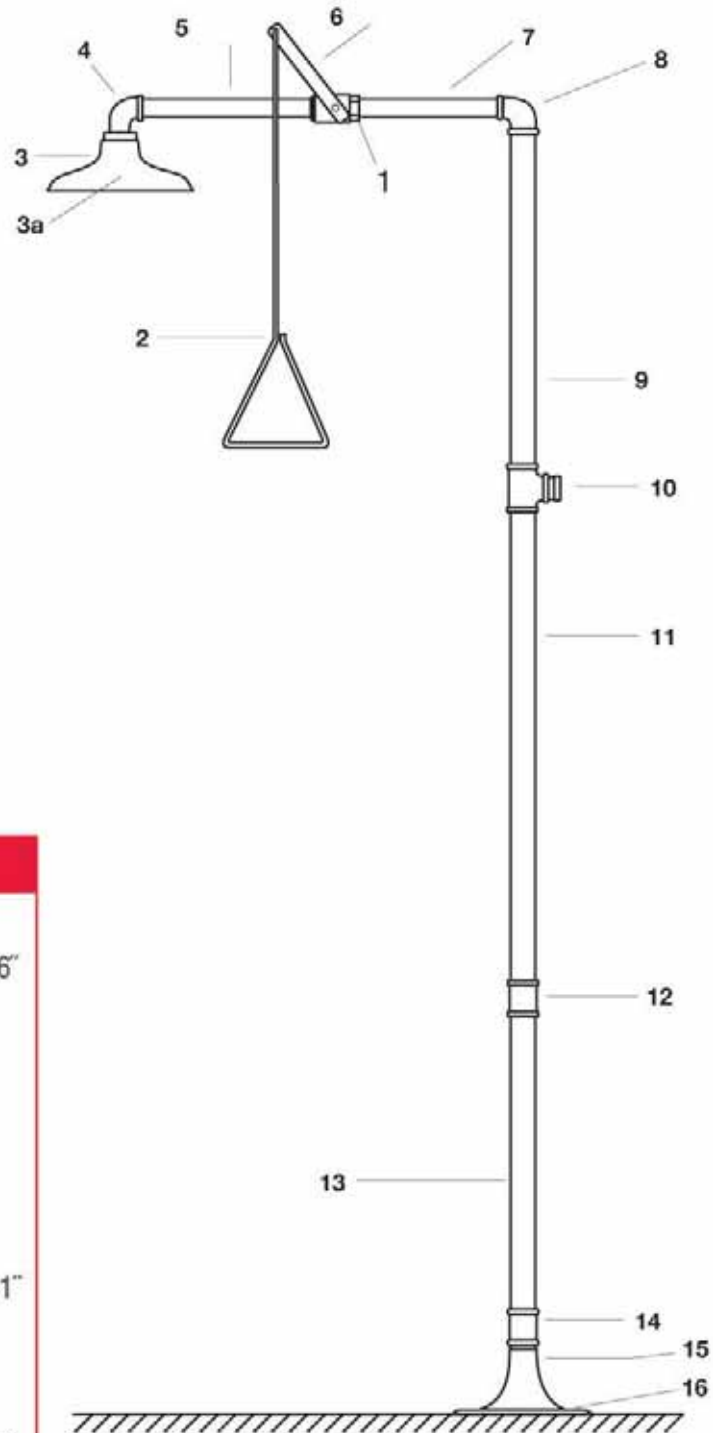
MODEL 4116 & 4126

ITEM	PART#	DESCRIPTION
1	4116-48	Ball Valve - 1" NPT
2	4116-44	Valve Arm w/ Hardware 1/4" x 26"
3	4100-55	Bowl - 10" ABS Plastic
	4100-80	Bowl - 10" Stainless Steel
3a	4116-45	Shower Head Spray
4	4116-33	BMI Elbow 1"
5	4116-32	Nipple, 1" x 10"
6	4116-46	Shower Arm
7	4116-32	Nipple, Blk. 1" x 10"
8	4116-31	BMI Reducing Elbow - 1 1/4" x 1"
9	4116-26	Nipple, 1 1/4" x 24"
10	4116-28	BMI Tee - 1 1/4"
11	4116-25	Nipple, 1 1/4" x 30"
12	4100-68	Handle
13	4116-29	BMI Reducing Tee - 1 1/4" x 1/2"
13a	4100-67	Ball Valve, 1/2" NPT
14	4116-37	Plug, 1 1/4" x 1 5/8"
15	4116-30	BMI Reducing Tee, 1 1/4" x 1"
16	4116-27	Nipple, 1 1/4" x 17"
17	4116-28	BMI Tee - 1 1/4"
18	4116-37	Plug, 1 1/4" x 1 5/8"
19	4116-35	BMI Floor Flange 1 1/4"
20	4116-42	1" 90 Degree Sweep
21	4116-43	1/2" Male x 1/2" Female Stainless Supply
22	4116-34	Merchant Coupling 1"
23	4116-41	1/2" x 14" w/90 Degree Sweep

NOTE: For Bowl Assembly Parts,
Please Refer to Eyewash 4100



Emergency Drench Shower

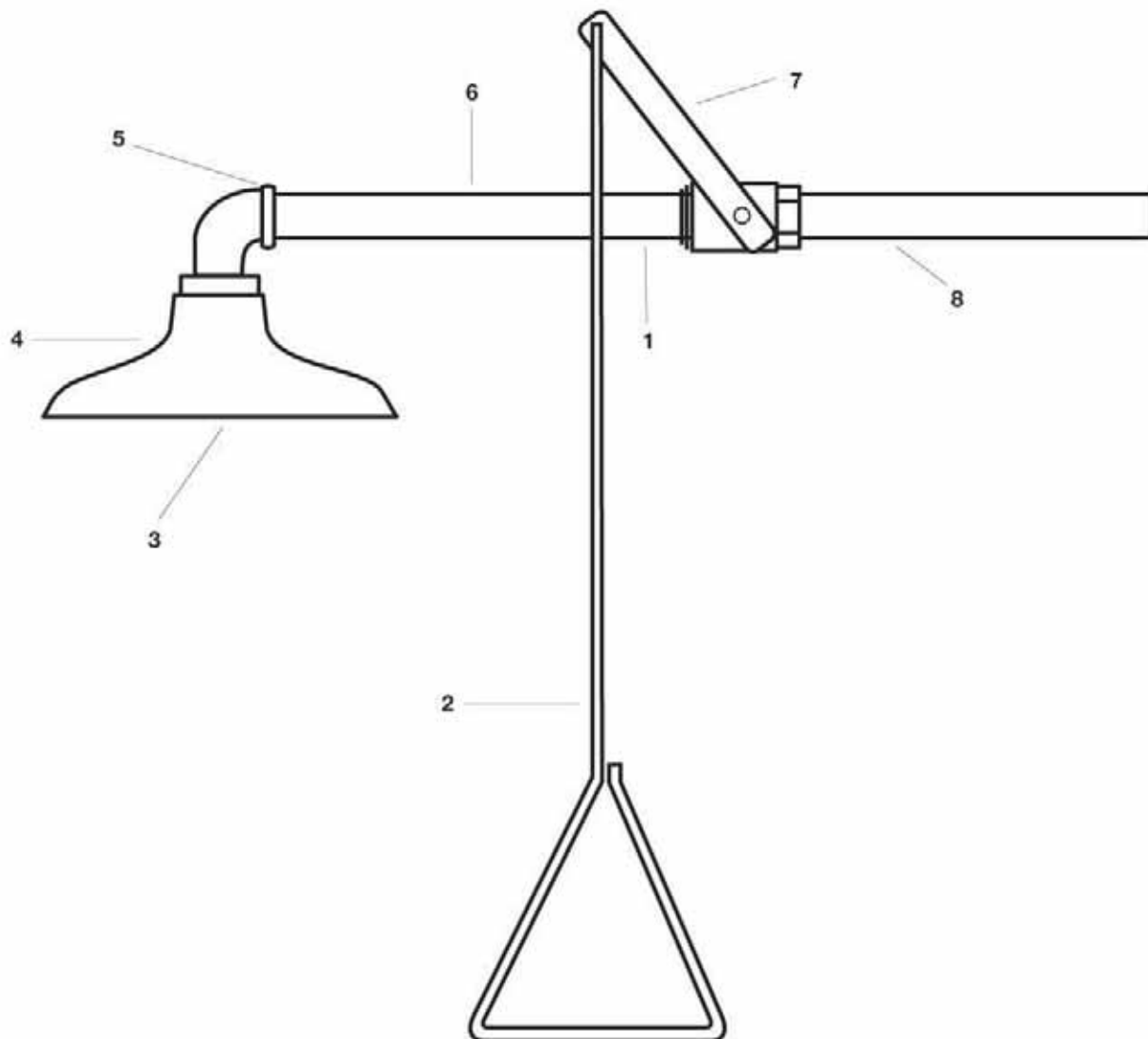


MODEL 4117 & 4127

ITEM	PART#	DESCRIPTION
1	4116-48	Ball Valve, - 1" NPT
2	4116-44	Valve Arm w/ Hardware 1/4" x 26"
3	4100-55	Bowl, - 10" ABS Plastic
	4100-80	Bowl, - 10" Stainless Steel
3a	4116-45	Shower Head Spray
4	4116-33	BMI Elbow, 1"
5	4116-32	Nipple, 1" x 10"
6	4116-46	Shower Arm
7	4116-32	Nipple, 1" x 10"
8	4116-31	BMI Reducing Elbow, - 1 1/4" x 1"
9	4116-26	Nipple, 1-1/4" x 24"
10	4116-28	BMI Tee, - 1 1/4"
11	4116-25	Nipple, 1-1/4" x 30"
12	4116-40	Merchant Coupling, 1 1/2" ID x 2"
13	4116-25	Nipple, 1 1/4" x 30"
14	4116-40	Merchant Coupling, 1 1/2" ID x 2"
15	4116-37	Plug, 1 1/4" x 1 5/8"
16	4116-35	BMI Floor Flange, 1 1/4"

NOTE: For Bowl Assembly Parts,
Please Refer to Eyewash 4100

Emergency Drench Shower

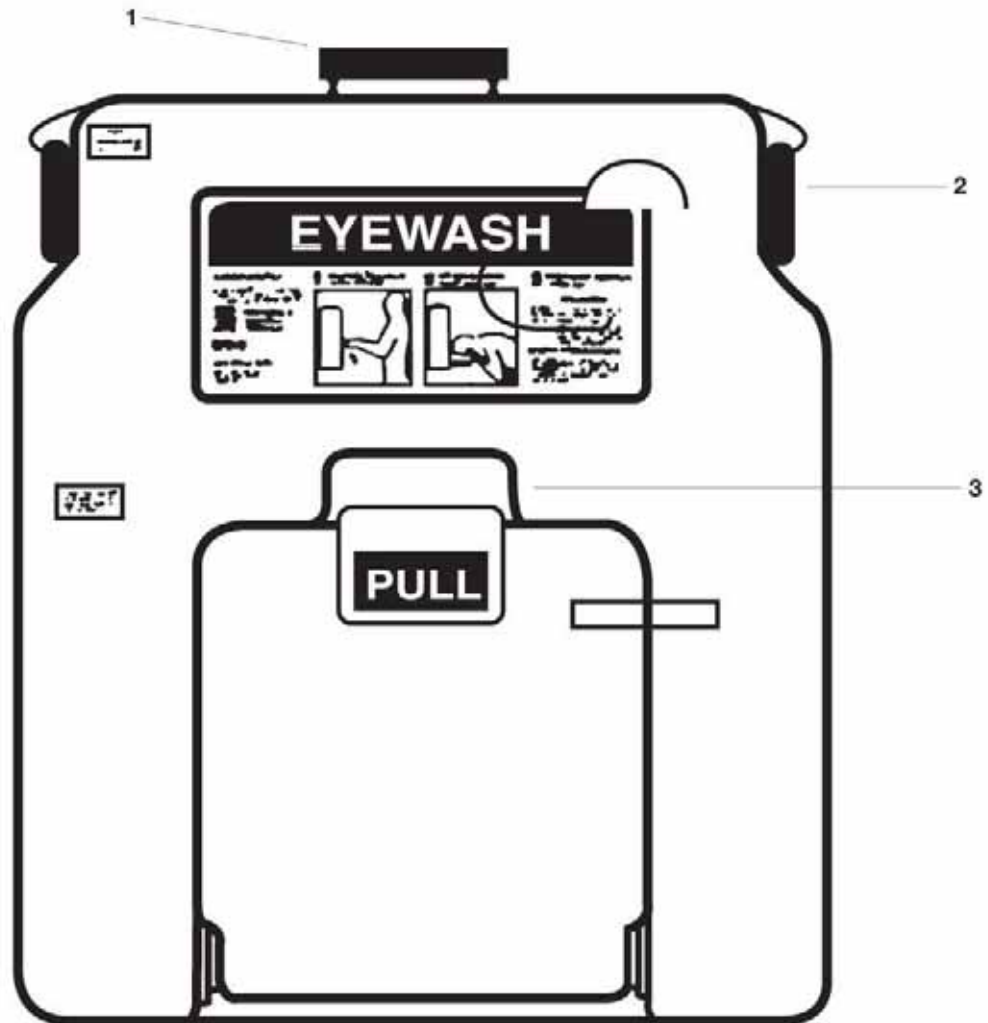


MODEL 4118 & 4128

ITEM	PART#	DESCRIPTION
1	4116-48	Ball Valve - 1" NPT
2	4116-44	Valve Arm w/ Hardware 1/4" x 26"
3	4116-45	Shower Head Spray
4	4100-55	Bowl - 10" ABS Plastic
	4100-80	Bowl - 10" Stainless Steel
5	4116-33	BMI Elbow 1"
6	4116-32	Nipple, 1" x 10"
7	4116-46	Shower Arm
8	4116-32	Nipple, 1" x 10"



Portable Gravity-Fed Eyewash Station



MODEL 5135

ITEM	PART#	DESCRIPTION
1	5135-11	Lid
2	5135-18	Side Handle
3	5135-07	Latch
	5138	Mounting Brackets (Not Shown)
	5135-19	Wall Mount Rear Handle (Not Shown)
4	5137	Tag
	5136	Water Preservative